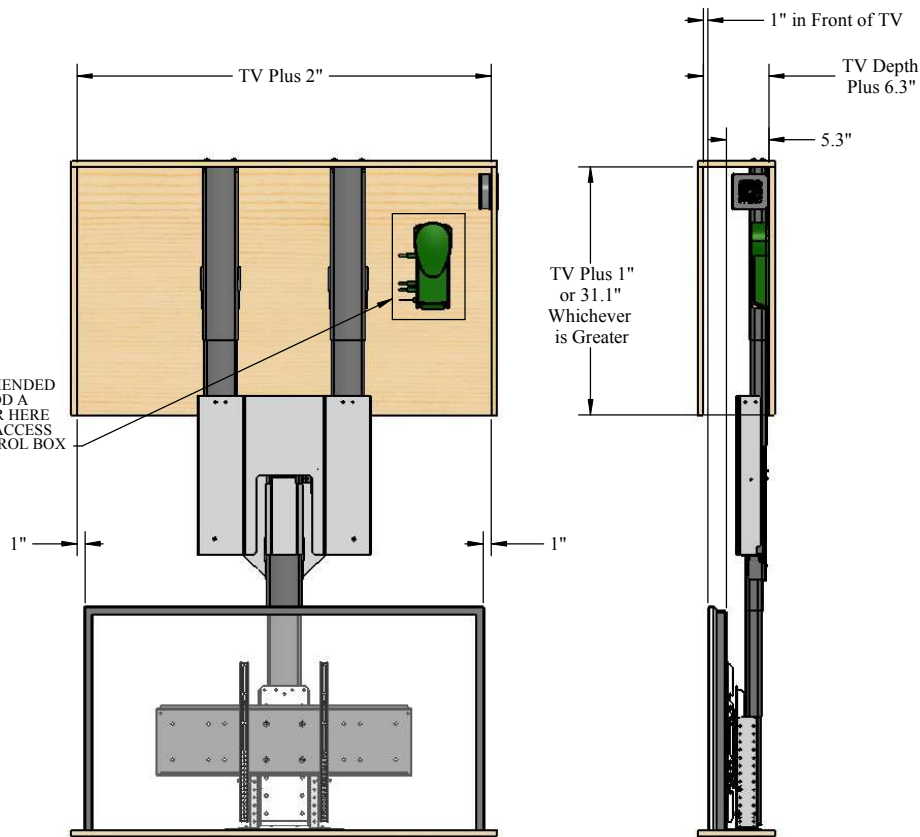
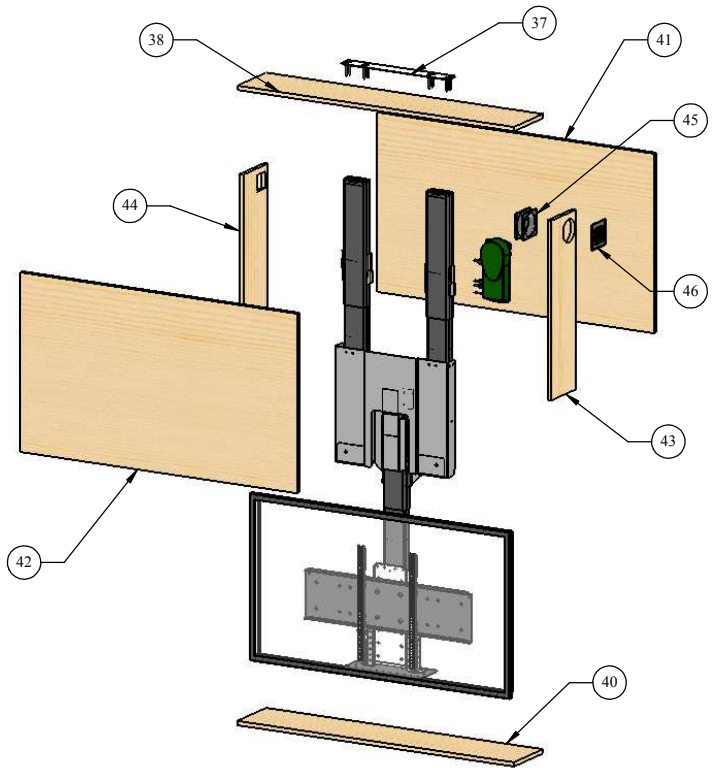


Model L-53 i Installation Dimensions: Standard Configuration



IT IS RECOMMENDED THAT YOU ADD A HINGED DOOR HERE TO PROVIDE ACCESS TO THE CONTROL BOX



RECOMMENDED COMPONENTS FOR BUILDING ENCLOSURE BOX. (UNLESS NOTED, THESE ITEMS ARE NOT INCLUDED WITH LIFT SYSTEM)

ITEM NO.	PART NUMBER	QTY.
37	TOP BEAM SUPPORT (INCLUDED)	1
38	L-53i ENCLOSURE TOP COVER	1
40	L-53i CEILING CUTOUT	1
41	L-53i ENCLOSURE REAR PANEL	1
42	L-53i ENCLOSURE FRONT PANEL	1
43	L-53i ENCLOSURE END PANEL	1
44	L-53i ENCLOSURE END PANEL	1
45	FAN 4.5 MUFFIN	1
46	FAN FILTER GUARD	1

NOTES:

- 1) THIS INSTALLATION SHOULD ONLY BE PERFORMED BY A LICENSED CONTRACTOR
- 2) TV LIFT MECHANISM WITH TV WEIGHS 250# MAX (NOT INCLUDING SURROUNDIND BOX NOR THE SUPPORT BEAMS)
- 3) SYSTEM WITH SURROUNDING ENCLOSURE WEIGHS APPROX. 325#.
- 4) MECHANISM AND TV MUST BE ENCLOSED TO REMAIN ISOLATED TO THE ATTIC ENVIRONMENT.
- 5) SYSTEM MUST BE TIED INTO TRUSSES PER ARCHITECTURAL INSTALLATION DRAWING.
- 6) ELECTRICAL HOOKUP TO BE PER AUTHORIZED BUILDING CODES.
- 7) MAXIMUM EXTENSION OF TV LIFT IS 52"

