

MODEL L-85 DIAGRAM WITH HINGED TOP GUIDES & SOUNDBAR - PRIMARY CABINET DIMENSIONS

SPECIFICATIONS (CENTIMETERS ARE REPRESENTED BY [])

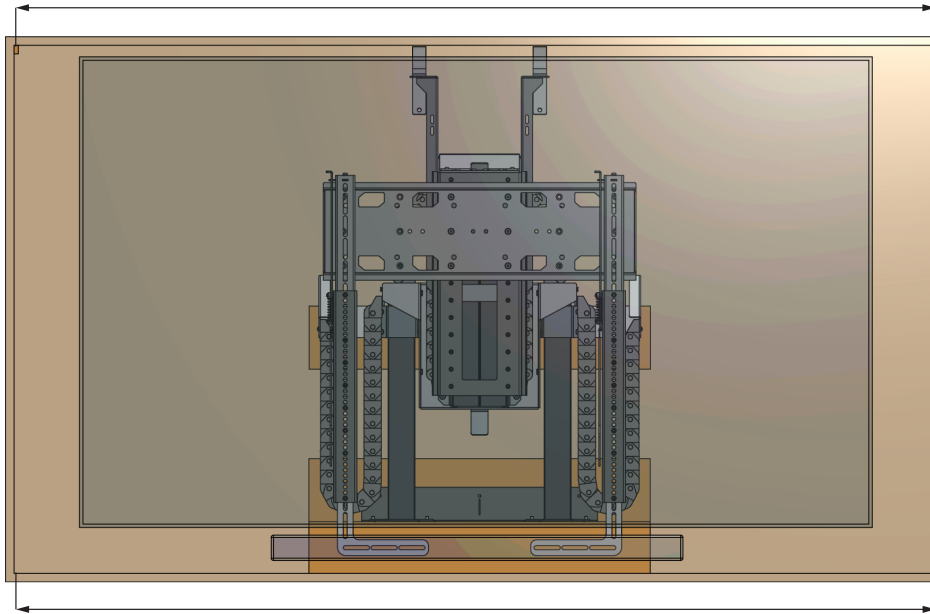
MAX TV SIZE : 86"
 MAX WEIGHT CAPACITY : 175 LBS [79.4 KG]
 MAX TRAVEL [EXTENSION] : 52" [132.1]
 LIFT SYSTEM HEIGHT : 34.25" [87] TO 49" [124.5]
 MAX TV + SOUNDBAR HEIGHT : 51" [129.5] MINUS LID THICKNESS
 MAX LID WEIGHT : 80 LBS [36.3 kg]

QUICK REFERENCE DIMENSION GUIDE (USE WHICHEVER IS GREATER)

TV DIMENSIONS : W____, H____, D____
 SOUNDBAR DIMENSIONS : SW____, SH____, SD____
 MIN. INTERIOR CABINET WIDTH : W + 2" [5.1] OR SW + 2" [5.1] = ____ OR 32.5" [82.6]
 MIN. LID CUTOUT WIDTH : W + 2" [5.1] OR SW + 2" [5.1] = ____ OR 32.5" [82.6]
 MIN. INTERIOR CABINET HEIGHT : H + SH + 2.5" [6.4] = ____ OR 34.125" [86.7]
 MIN. INTERIOR CABINET DEPTH : D + 10.625" [27] OR SD + 10.75" [27.3] = ____
 MIN. LID CUTOUT DEPTH : D + 10.625" [27] OR SD + 10.75" [27.3] = ____
 PLATFORM HEIGHT : INTERIOR CABINET HEIGHT MINUS 48.5" [123.2]

MIN. LID CUTOUT WIDTH = TV WIDTH + 2" [5.1] OR SOUNDBAR WIDTH + 2" [5.1]
 OR 32.5" [82.6] WHICHEVER IS GREATER

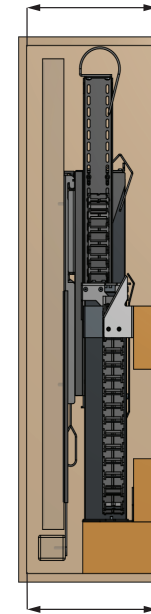
MIN. LID CUTOUT DEPTH =
 TV DEPTH + 10.625" [27] OR SOUNDBAR DEPTH + 10.75" [27.3]
 WHICHEVER IS GREATER



MIN. INTERIOR CABINET WIDTH = TV WIDTH + 2" [5.1] OR SOUNDBAR WIDTH + 2" [5.1]
 OR 32.5" [82.6] WHICHEVER IS GREATER

MIN. INTERIOR CABINET HEIGHT =
 TV HEIGHT + SOUNDBAR + 2.5" [6.4]
 OR 34.125" [86.7]
 WHICHEVER IS GREATER

PLATFORM HEIGHT =
 INTERIOR CABINET HEIGHT
 MINUS 48.5" [123.2]
 IF LESS THAN ZERO A
 PLATFORM IS NOT REQUIRED



MIN. INTERIOR CABINET DEPTH =
 TV DEPTH + 10.625" [27] OR SOUNDBAR DEPTH + 10.75" [27.3]
 WHICHEVER IS GREATER

NOTES:

1. THE CABINET BOX SHOWN IN THE DIAGRAM IS FOR REFERENCE ONLY AND IS NOT PROVIDED WITH THE LIFT SYSTEM
2. WHEN DETERMINING TV HEIGHT, ALWAYS USE MANUFACTURER SUPPLIED "TV WITHOUT STAND" HEIGHT
3. LIFT MECHANISM IS POWDER COATED BLACK STEEL, COLORS IN DIAGRAM ARE FOR CLARITY ONLY
4. LIFT ENCLOSURE'S REAR PANEL SHOULD BE CONSTRUCTED TO WITHSTAND A HORIZONTAL LOAD OF 600 LBS [272.2 kg] OR MORE

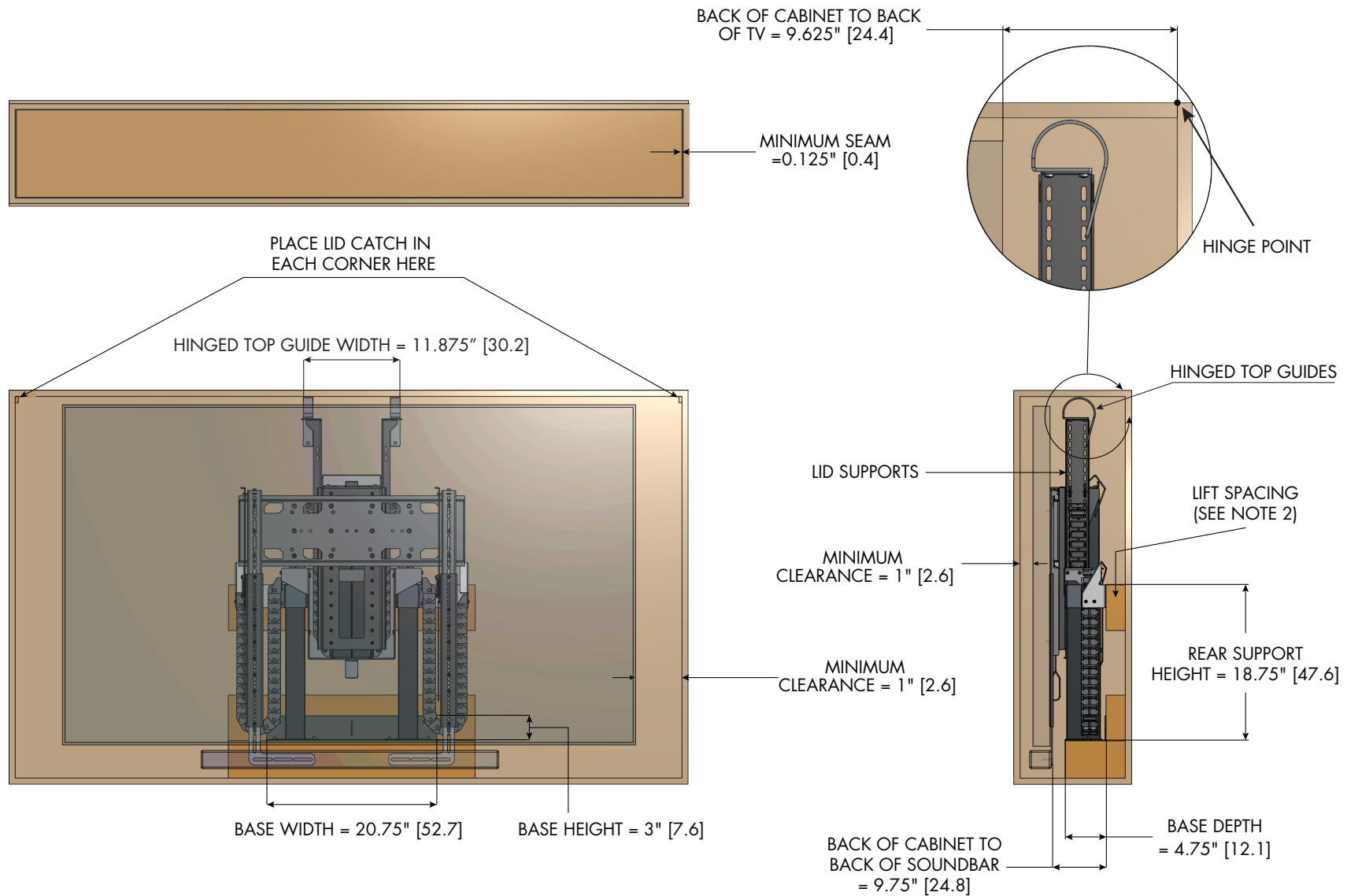
IMPORTANT HINGED LID INFORMATION:

1. HINGED LIDS REQUIRE THE USE OF THE "HINGED TOP GUIDE" ACCESSORY
2. HINGES FOR THE LID ARE NOT PROVIDED BY NEXUS 21
3. SEE PAGE 2 OF THIS DRAWING FOR MORE DETAILED INFORMATION ABOUT THE HINGED LID

NEXUS 21

COPYRIGHT 2020 - ALL RIGHTS RESERVED
 UPDATED 9/2/20

MODEL L-85 DIAGRAM WITH HINGED TOP GUIDES & SOUNDBAR - CABINET REFERENCE DIMENSIONS



NOTES:

1. LID SUPPORTS ALLOW HINGED TOP GUIDES TO BE ADJUSTED WITHIN 0.125" [0.3] OF THE UNDERSIDE OF LID
2. THE LIFT SYSTEM MUST BE SPACED A MINIMUM OF 3" [7.6] AWAY FROM THE HINGE POINT REGARDLESS OF CABINET DEPTH
3. THE LID MUST HAVE A LID CATCH TO REST ON IN ORDER TO ENSURE IT STAYS FLUSH WITH THE SURROUNDING CABINET OR COUNTERTOP
4. MINIMUM SEAM CAN BE REDUCED TO 0.0625" [0.2] WITH A 45 DEGREE BEVEL ON THE LID
5. EUROPEAN HINGE SHOWN FOR REFERENCE; HOWEVER, OTHER HINGE TYPES CAN BE USED

NEXUS₂₁

COPYRIGHT 2020 - ALL RIGHTS RESERVED
UPDATED 9/2/20